

Upgrade Kit



Preventive Maintenance

Drip Tray Upgrade Kit - Part no. B6123

For your Siemens 3.6 MW Turbines with B4473 HS-Brake Power Pack produced from Q2 2012

Purpose

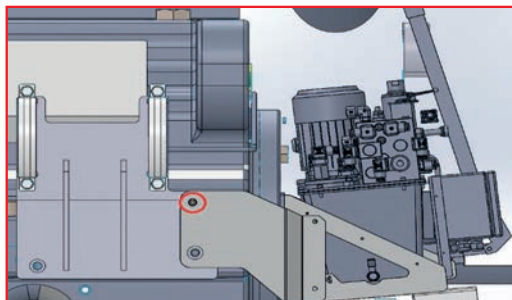
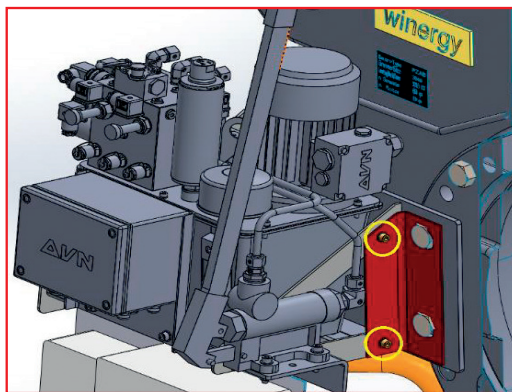
Some of our customers have experienced cracks in the original tray for the HS-Brake.

A cracked tray can result in excessive vibration and movement and the complete Power Pack could fall down.

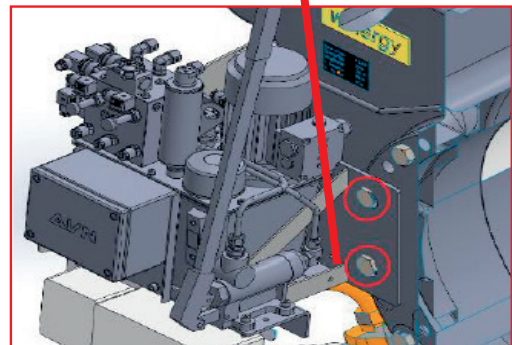
Solution

The Drip Tray Upgrade fixates the HS-Brake Power Pack to minimize vibration and movement. The new bracket is easy to install and has been surface treated for a longer lifetime.

- Minimize risk of damaging HS-brake Power Pack
- Reduced vibration
- Reduced stress on HS-Brake Power Pack
- Longer lifetime
- Implementing = reduced maintenance costs.



Drip tray brackets mounted



Crack in original support bracket

Your

Regular

Maintenance

Supplier of

- *More than 30 years experience*
- *Competitive prices*
- *Technical support*
- *Spare parts & repair*
- *Online access to documentation*

- Pitch Cylinders
- Filters
- Burst Discs
- Valves
- Accumulators
- Pumps
- Motors
- **Upgrade Kits**
- Complete Hydraulic Units

Contact us 24-7

Europe

Suensonsvej 14
DK-8600 Silkeborg
Denmark

E-mail: servicehwp@hydratech-industries.com
Tel.: +45 8722 8181

USA

P.O. Box 2618
22955 McAuliffe Dr.
Robertsdale, AL 36567

E-mail: servicehwpUS@hydratech-industries.com
Tel.: +1 251 947 5300